

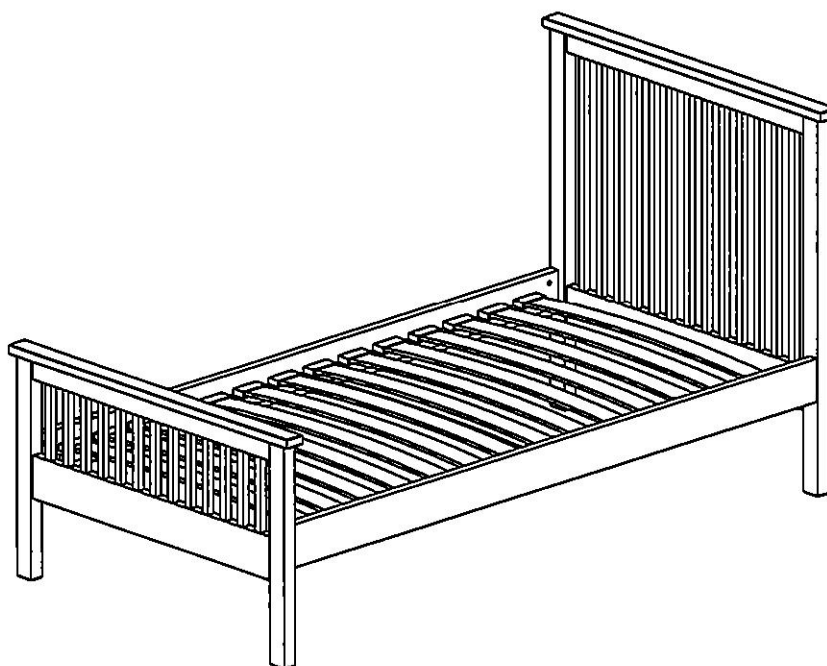
90CM HIGH BEDSTEAD

Stock number: 480X-52

Thank you for purchasing this product. Please read the instructions carefully before use to ensure safe and satisfactory operation of this product.



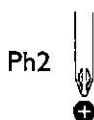
REMARK : FOR THIS BED HAVE STRAPPING BAND (A) MUST ASSEMBLE STRAPPING BAND (A) BEFORE SPRUNG SLATS (4)



Pre-assembly preparation

Please ensure instructions are read in full before attempting to assemble this product.

Necessary Tools : Phillips screwdriver



Please check the pack contents before attempting to assemble this product. A full checklist of components is given in this leaflet. If any components are missing, please contact the retailer from whom you bought this product.

This product takes approximately **60 MINUTES** to assemble with **2 PEOPLE**.



All assembly should be performed on a flat, stable, clean and soft surface.

This product is **HEAVY**, it should be assembled as near as possible to the point of use. **TAKE CARE WHEN LIFTING** to avoid personal injury and (or) damage to the product

The fitting pack contains **SMALL ITEMS** which should be **KEPT AWAY FROM YOUNG CHILDREN**.

IMPORTANT: Retain these instructions for future reference.

Fittings and parts checklist

A	Strapping band 	x 1		B	Round head screw Ø4 x 25 	x 4
---	--	-----	--	---	---	-----

Step By Step Assembly Instructions

Step 1 Attach strapping band (A) onto the pre-drilled holes on side rail (3) using 4x round head screws (B) as shown. Use a screwdriver to turn fittings (B) clockwise to fix.

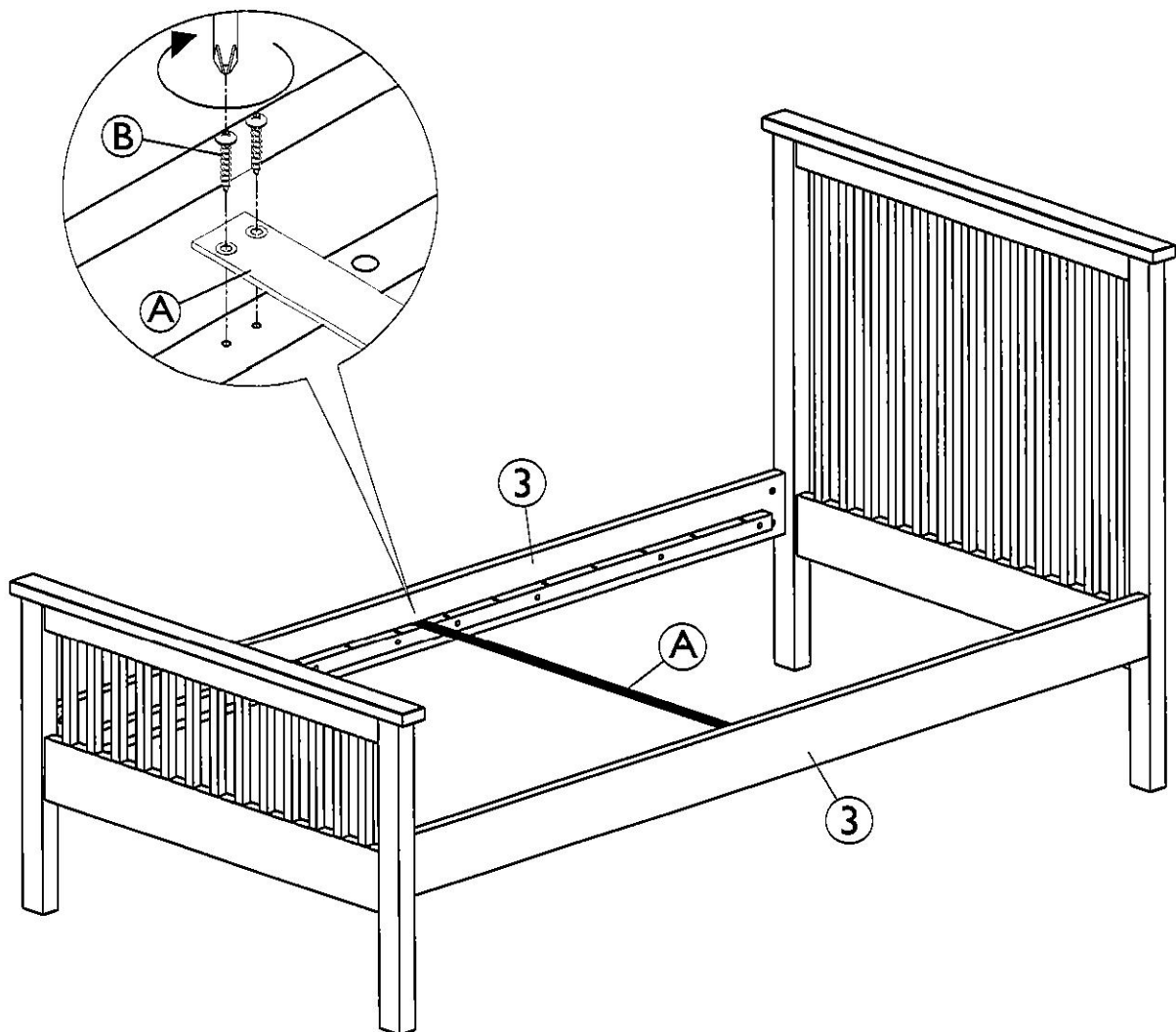
Fitting



A x 1

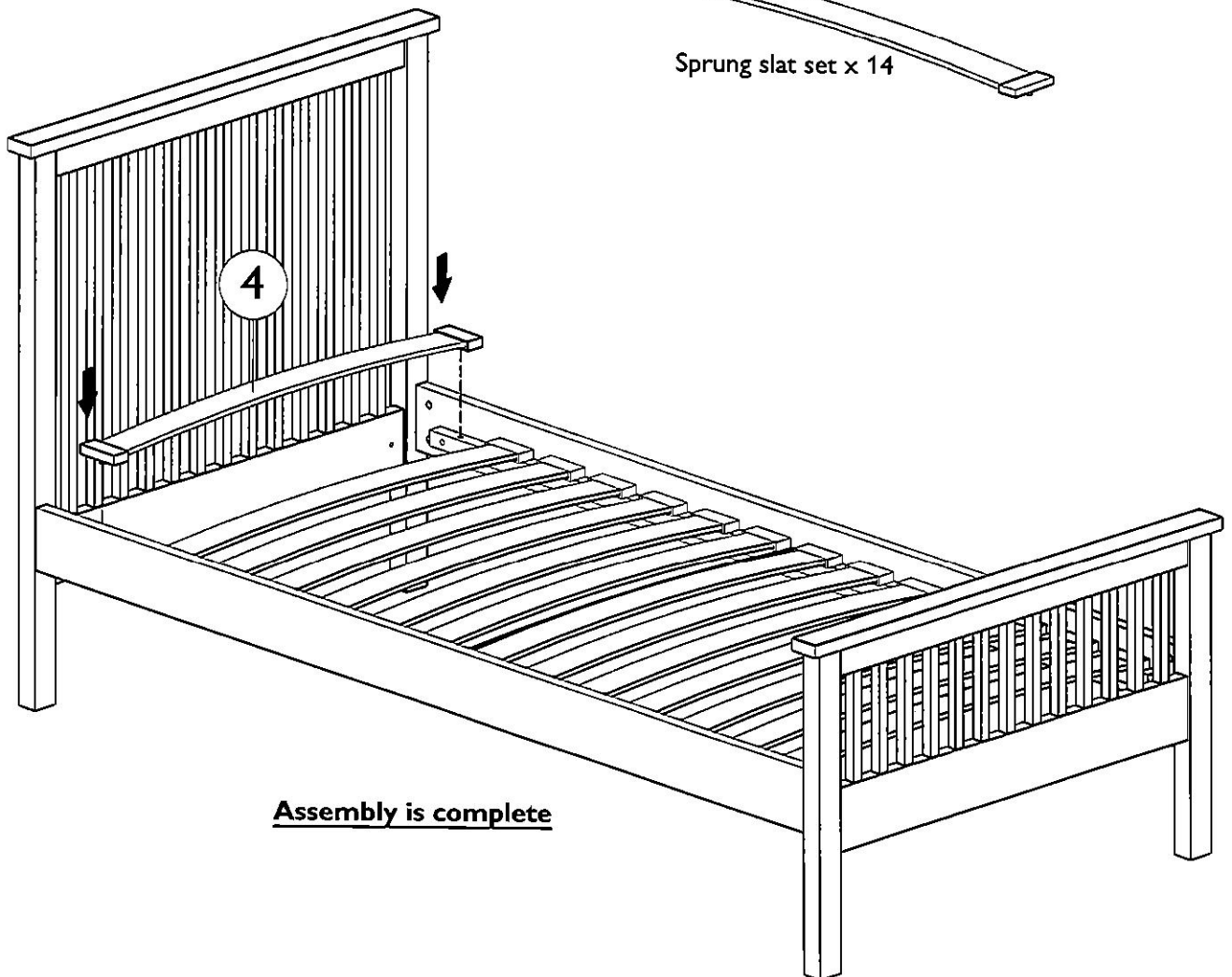
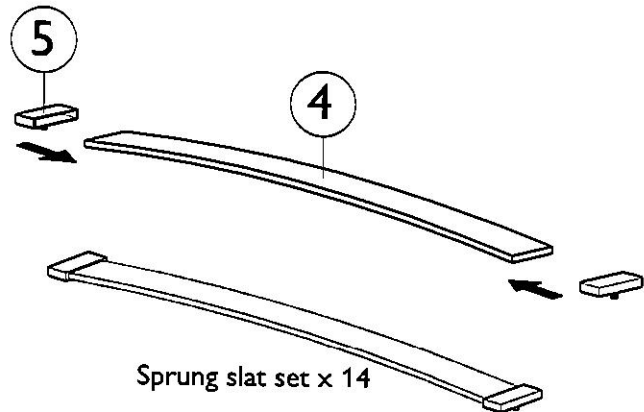


B x 4



Step By Step Assembly Instructions

- Step 2**
- 2.1: Insert 28x end plastic sleeves (5) onto both ends of 14x sprung slats (4) as shown.
 - 2.2: Attach the previously assembled 14x sprung slat sets into the pre-drilled holes on wood supports of both side rails as shown.



MB
21.04.16

EUR # 1871
TMB
21.04.16

CA
22.04.16