

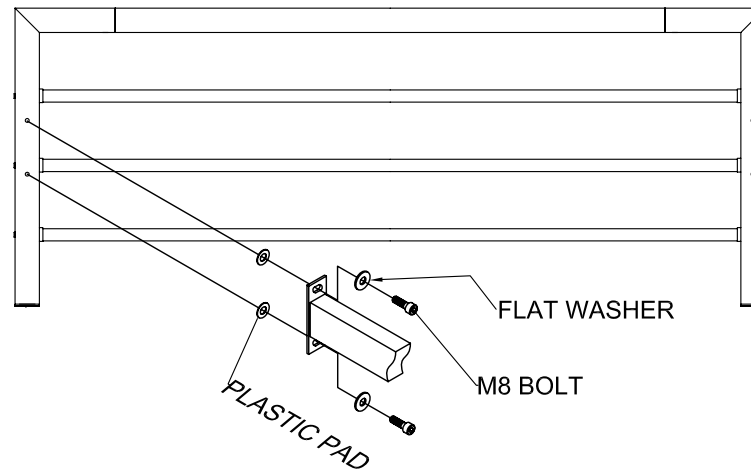
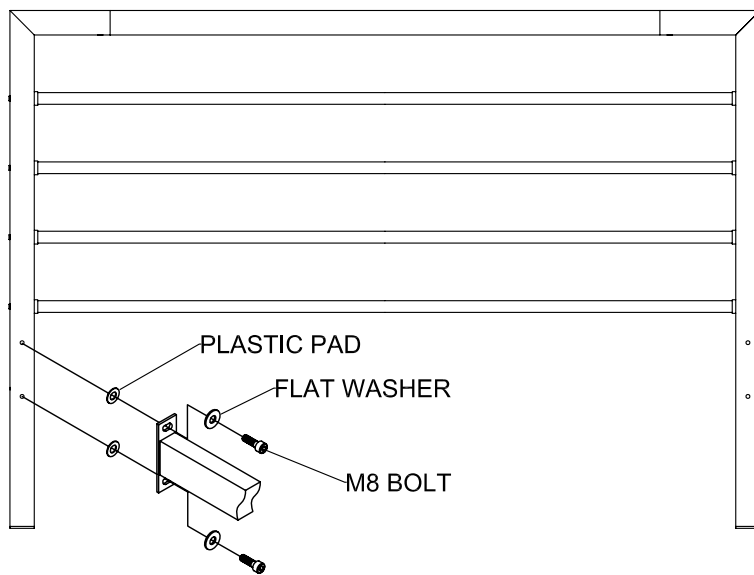


# BENTLEY DESIGNS

CODE NO:1129B URBAN 90CM HEADBOARD & FOOTEND  
CODE NO:1124B URBAN 122CM HEADBOARD & FOOTEND  
CODE NO:1120B URBAN 135CM HEADBOARD & FOOTEND  
CODE NO:1126B URBAN 150CM HEADBOARD & FOOTEND

## **CARE OF YOUR BEDSTEAD**


Your plated bedstead is easy to keep clean by using a soft dry duster in the normal way. For stubborn stains, use a soft damp cloth and then revert to the soft dry duster. PLEASE NOTE, POLISHING MATERIALS AND SOLVENTS SHOULD NOT BE USED AS THEY DISSOLVE THE PROTECTING LACQUER AND ALLOW OXIDATION OF THE GENUINE BASE MATERIAL. We cannot accept responsibility for any damage caused due to misuse of this product.



## HARDWARE PACK

⊙ PLASTIC PAD 8 PCS

⊙ FLAT WASHER 8 PCS

 M8 BOLT 8 PCS

 6 m/m ALLEN WRENCH 1PC